



## BuzziDonut

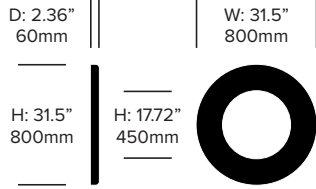
BuzziSpace | BuzziSpace Studio | 2014

Round and welcoming, BuzziDonut is craved in design circles as a sound-absorbing panel with a distinctive central hole to frame an existing light. Available in three sizes, BuzziDonut is engineered to improve sound quality in open spaces as a wall-mounted architectural element or suspended screen. Create a custom look through an array of fabrics over your choice of a flat finished surface or three-dimensional pattern.

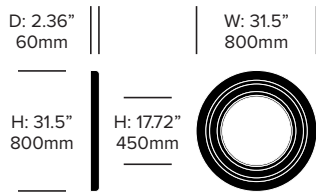
HAWORTH® Collection



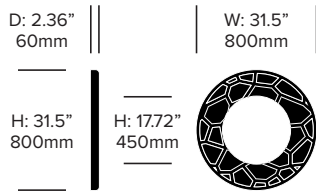
## Small Wall Mounted Screen, Flat



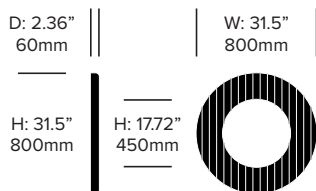
## Small Wall Mounted Screen, 3D Drop



## Small Wall Mounted Screen, 3D Leaf



## Small Wall Mounted Screen, 3D Rib



## UPHOLSTERY AND FINISHES

### Fabric Grade A

Fabric (BFA)  
Kvadrat® Revive 1 (BR1)  
Kvadrat® Revive 2 (BR2)  
Rough (BRO)  
Trevira CS (BCS)  
Trevira CS+ (BCP)

### Fabric Grade B

Kvadrat® Clara 2 (BC2)  
Kvadrat® Remix 2 (BRX)  
Terra (BTE)

### Fabric Grade C

Kvadrat® Hero (BHR)

### Fabric Grade D

Kvadrat® Tonus 4 (BT4)  
Kvadrat® Tonus Meadow (BTM)

### Fabric Grade E

Kvadrat® Memory 2 (BM2)

### Fabric Grade F

Kvadrat® Matrix (BMX)

### Cable Trim

Alu (BTR-9006)  
Black (BTR-9005)

## ACOUSTICS

### Acoustic Principles



Absorption



Diffusion

### Acoustic Performance



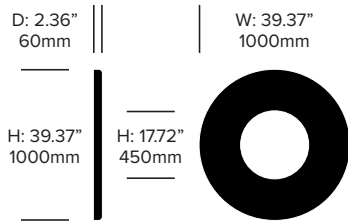
Mid Tones



High Tones

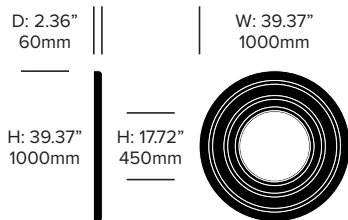
## Medium Wall Mounted Screen, Flat

---



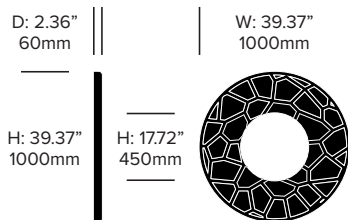
## Medium Wall Mounted Screen, 3D Drop

---



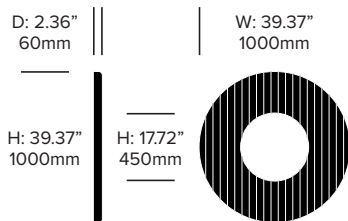
## Medium Wall Mounted Screen, 3D Leaf

---



## Medium Wall Mounted Screen, 3D Rib

---



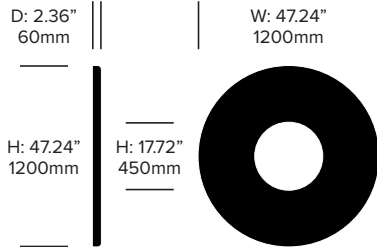
# BuzziDonut

BuzziSpace | BuzziSpace Studio | 2014 | Imported from the Netherlands



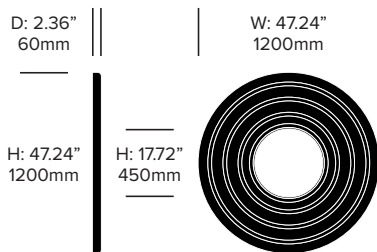
## Large Wall Mounted Screen, Flat

---



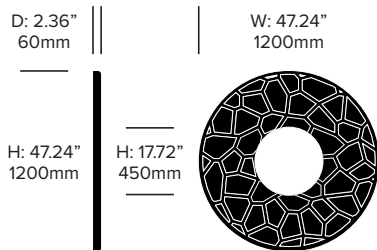
## Large Wall Mounted Screen, 3D Drop

---



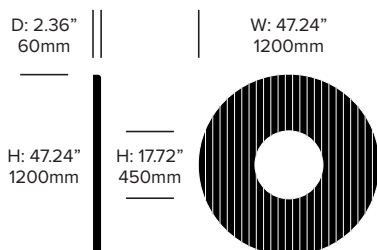
## Large Wall Mounted Screen, 3D Leaf

---

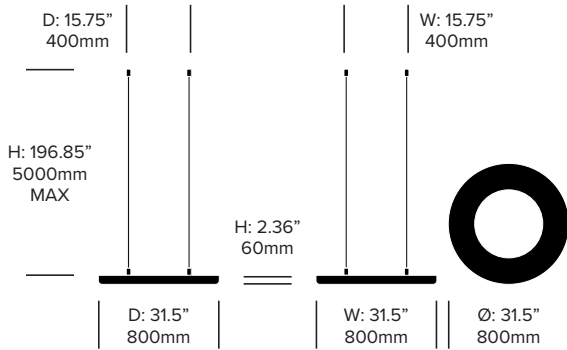


## Large Wall Mounted Screen, 3D Rib

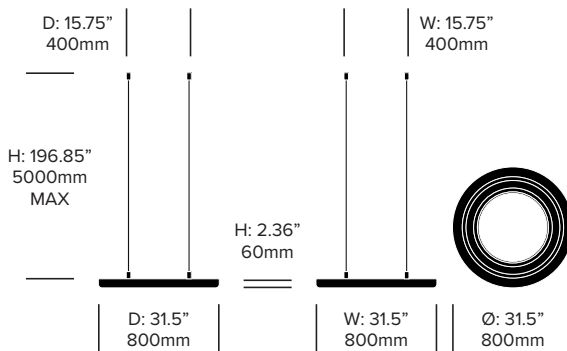
---



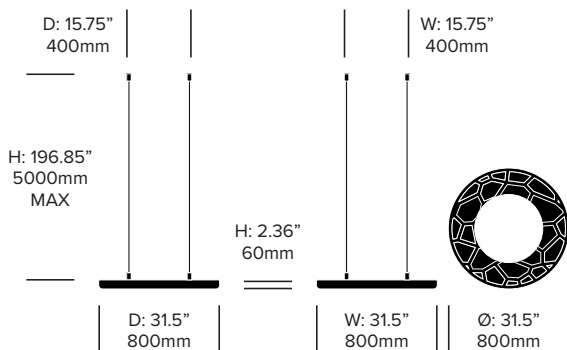
## Small Suspended Screen, Flat



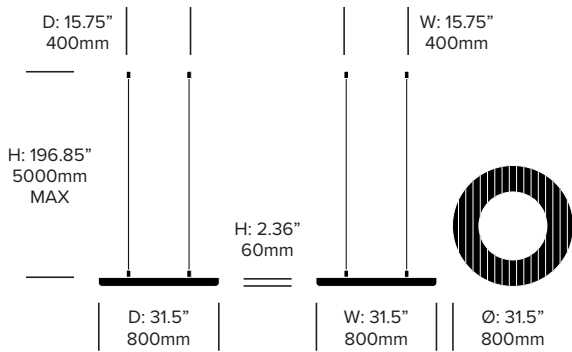
## Small Suspended Screen, 3D Drop



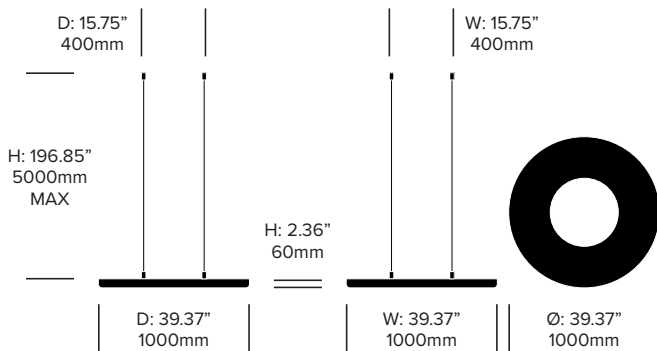
## Small Suspended Screen, 3D Leaf



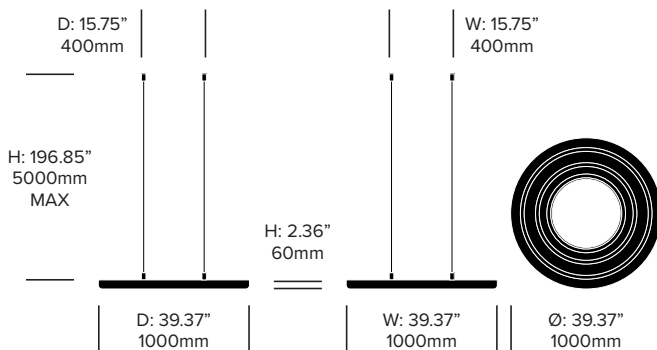
## Small Suspended Screen, 3D Rib



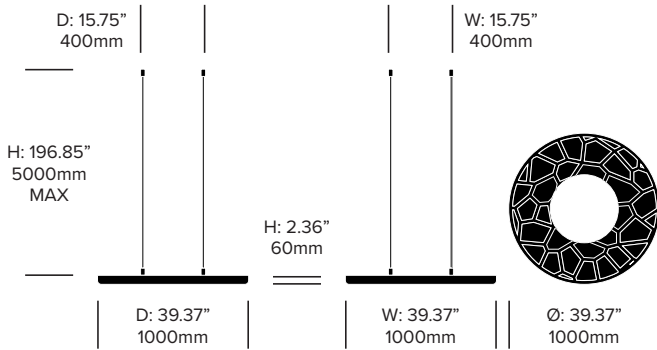
## Medium Suspended Screen, Flat



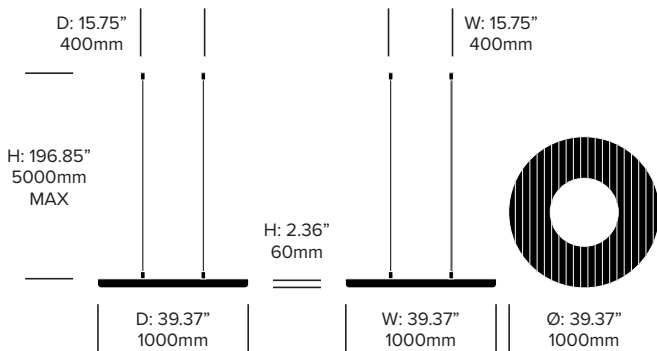
## Medium Suspended Screen, 3D Drop



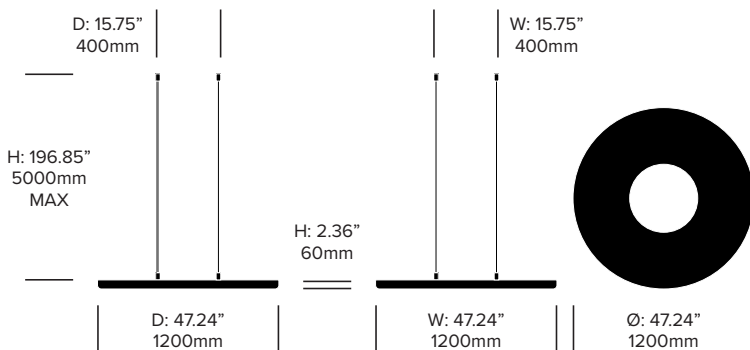
## Medium Suspended Screen, 3D Leaf



## Medium Suspended Screen, 3D Rib



## Large Suspended Screen, Flat

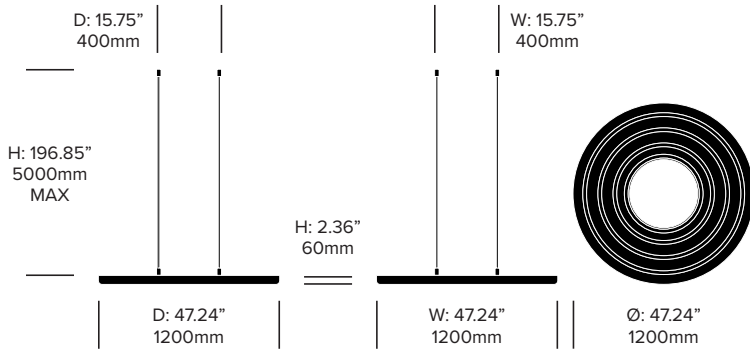


# BuzziDonut

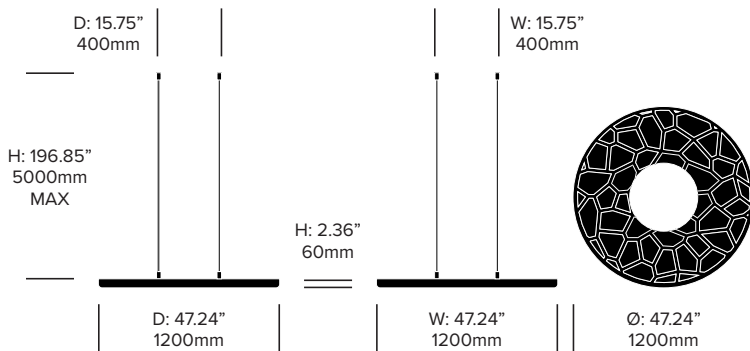
BuzziSpace | BuzziSpace Studio | 2014 | Imported from the Netherlands



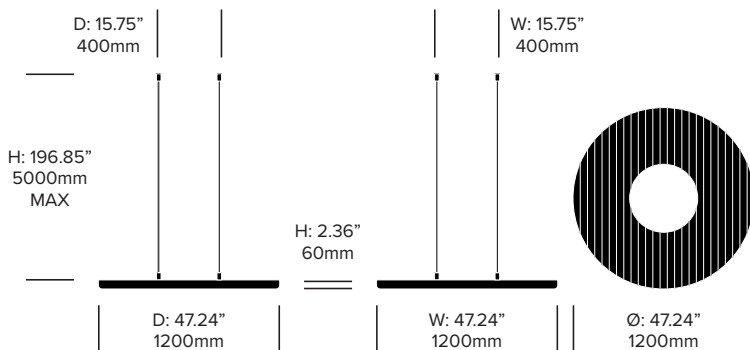
## Large Suspended Screen, 3D Drop



## Large Suspended Screen, 3D Leaf



## Large Suspended Screen, 3D Rib







Meadows Office Interiors creates innovative workspaces that are strategically designed to help customers improve business performance, increase collaboration, realize cost efficiencies and build brand recognition.

Aligned with hundreds of manufacturers and founded five decades ago, Meadows is a Haworth Preferred Dealer and a nationally certified Woman-Owned Business Enterprise. As a member of the U.S. Green Building Council and an FSC® Chain of Custody certificate holder, Meadows places a high value on products and processes that meet sustainability benchmarks.

The Meadows difference begins with the truly turnkey experience we offer our customers. By pairing 50 years of industry experience with the latest technology, Meadows embraces innovation and remains committed to providing exceptional customer service and building lasting client relationships.



## CONTACT

---

885 Third Avenue • 29th Floor • New York, NY 10022  
212.741.0333 • [meadowsoffice.com](http://meadowsoffice.com) • [info@meadowsoffice.com](mailto:info@meadowsoffice.com)

